

CABLE LENGTH RECOMMENDED NOT TO EXCEED 2 METRES IN EITHER DIRECTION TO AND FROM THE CATHODIC ISOLATOR® MODEL SSP\*

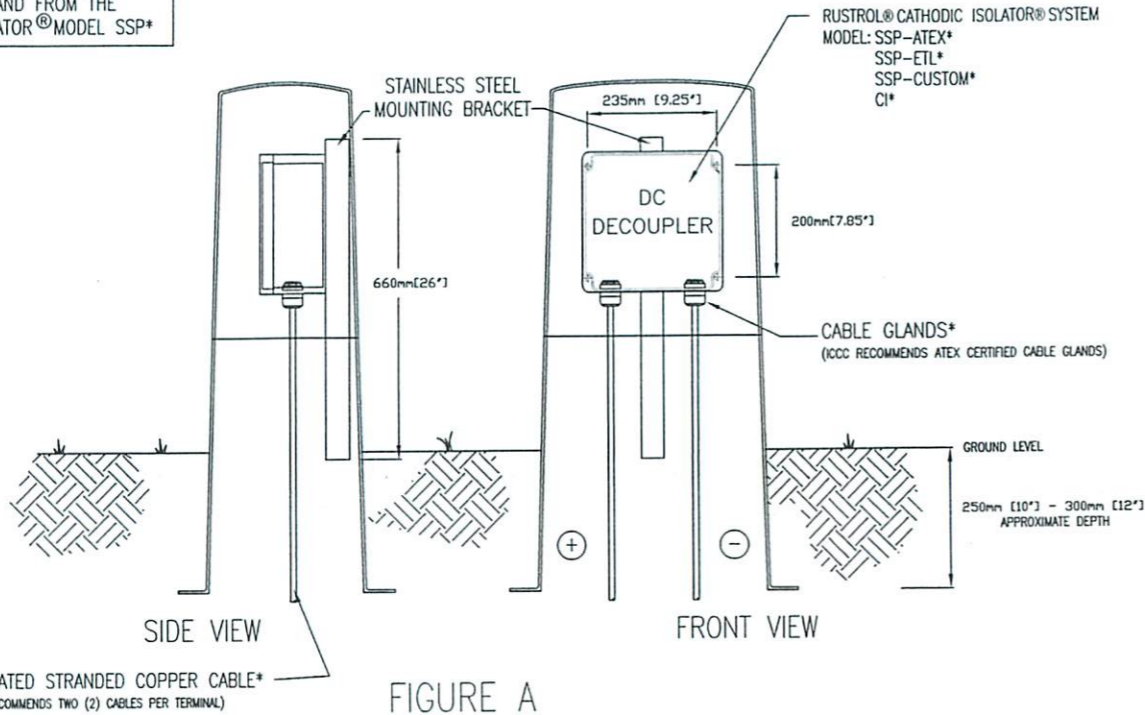


FIGURE A

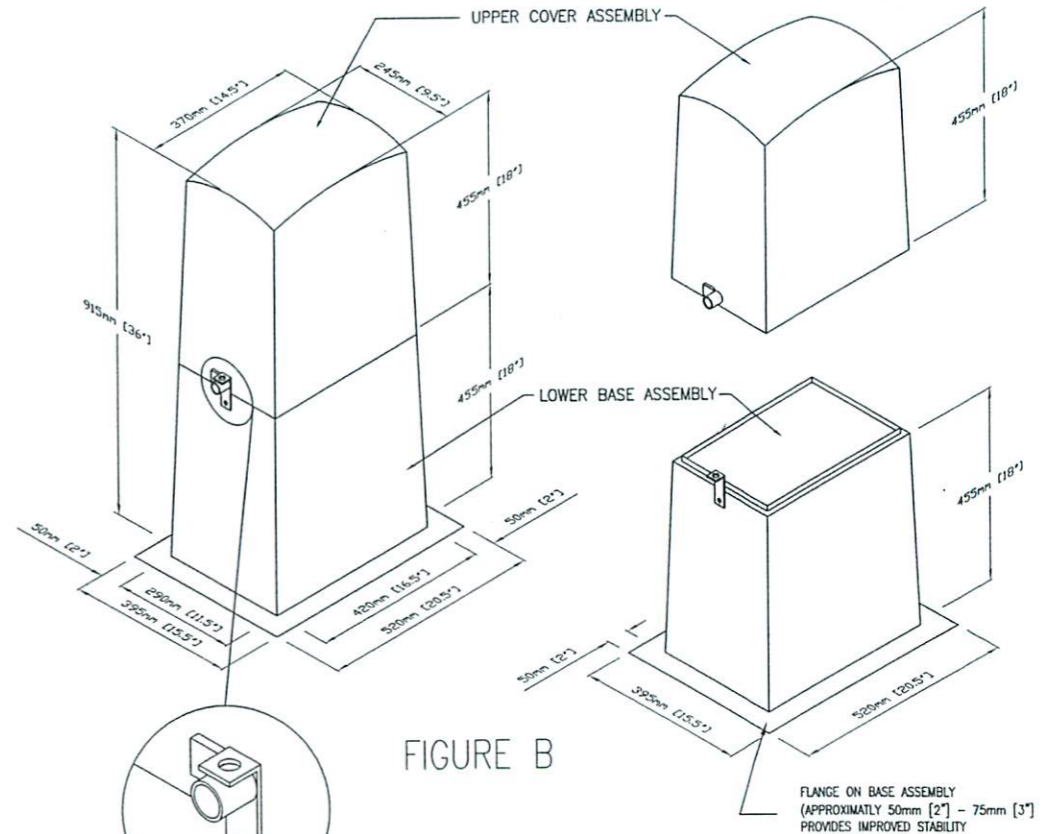
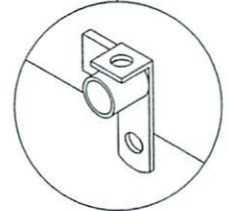


FIGURE B



LOCKING HASP

- NOTES:
- 1) Not drawn to scale.
  - 2) All dimensions are approximate.
  - 3) Free-Standing Fibreglass Pedestal, Standard Colour - Green, Flexural Resistance utilizing glass fibre and resin construction, Ultraviolet (UV) stable gel-coat exterior.
  - 4) Typical installation only. Variations are common based on site requirements.
  - 5) All noted (\*) details are provided as suggestions only, and are to be provided by others. All noted (\*) details are not included with the Pedestal Mount.
  - 6) While published statements are believed to be accurate, they are offered as suggestions only. Any use thereof is at the user's independent discretion.
  - 7) This drawing remains the property of Interprovincial Corrosion Control Company Ltd.



No.	Date	By	Revision	Chk'd by	Date
0	FEB 10/2012	H.O.	ISSUED FOR APPROVAL	<i>Apocw</i>	FEB 10/2012
					Designed A.E.
					Detailed H.O.
					Checked A.E.

**INTERPROVINCIAL CORROSION CONTROL COMPANY LIMITED**  
 930 Sheldon Court  
 Burlington Ontario Canada  
 Ph: (905) 634-7751 Fax: (905) 333-4313  
 www.Rustrol.com  
 Copyright 2012

Title	TYPICAL PEDESTAL MOUNT FOR RUSTROL® CATHODIC ISOLATOR® SYSTEM MODEL: SSP-ATEX, SSP-ETL, SSP-CUSTOM, CI
Drawing No.	SSP-14
Rev.	0